

# BLSPT Series

LED Surface/Suspended/Row Mounted Ambient Luminaire  
Instruction Manual



BJ Take Inc.  
Energy Efficient Lighting



Figure 1

**Note:** Figure 1 shows 4' fixture.

## ITEMS REQUIRED

- Square head screwdriver
- Pliers
- Hammer
- Safety glasses
- Ladder

## IMPORTANT SAFETY INSTRUCTIONS

When using electrical equipment, basic safety precautions should always be followed including the following:

- Read and follow all safety instructions.
- **DANGER** – Risk of Shock – Disconnect power before installation.
- **Product must be installed in accordance with CEC or your local electrical code.** If not familiar with these codes and requirements, consult a qualified electrician.
- Always turn off the main power supply before installation and maintenance.
- Sharp edges may cut. Handle with care.
- Save these instructions for future reference.

## INSTALLATION INSTRUCTIONS:

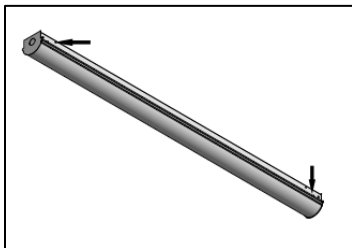


Figure 2

1. Turn off the main power supply. Carefully remove the fixture from the box.
2. Remove the lens cover by pulling out towards the edges as shown in Figure 2. Place the lens in safe location.
3. If necessary, open the access panel part shown in Figure 3 with the help of a square head screwdriver for power supply wiring. After unscrewing completely, push the part forward. Then, pull out the backend of the part from the fixture and remove it by pushing the part backwards and out of the fixture. Keep the screw in a safe place; will be required later. Otherwise, remove one knockout from access panel part.

4. If required remove appropriate knockout(s) for any additional power supply options.
5. Locate the disconnect inside the fixture through the opening. Carefully, remove the half with no wires attached.

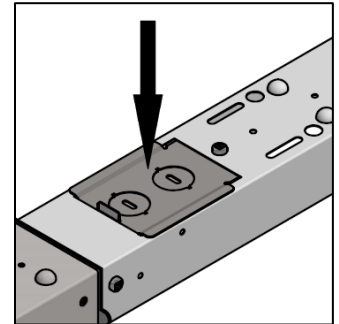


Figure 3

6. Attach the main luminaire body to the ceiling using mounting holes represented by symbol C in Figure 4. These holes can also be used for suspension mounting. Symbol B in Figure 4 shows the embosses for surface mounting.

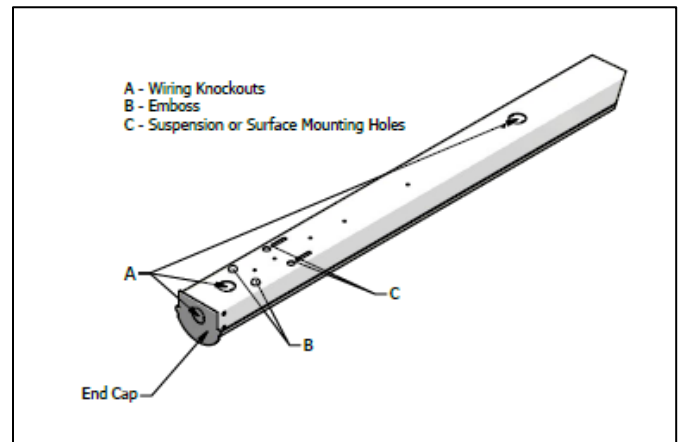


Figure 4

7. Figure 5 shows the mounting hole patterns for 2 ft., 4ft., and 8 ft. luminaires. **Note: All dimensions are for reference purposes only and could changed without any prior notice.**

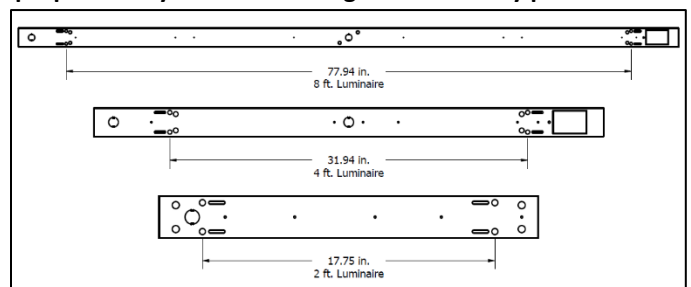


Figure 5

8. Prepare the supply wires.
  - A. Wiring must comply with all applicable electrical codes.
  - B. Strip wires appropriate length (Recommended: 11-13mm). The intended wire size for the connections is following:
    - 2xAWG 18-12 **Solid wire** per port
    - 2xAWG 16-12<19 **Stranded wire** per port.
  - C. Grip Line or Black power supply wire firmly and push the wire into the port marked with letter "B" or black circle on the connector as shown in Figure 6.

- D. Grip Neutral or White power supply wire firmly and push the wire into the port marked with letter “W” or white circle on the connector as shown in Figure 6.

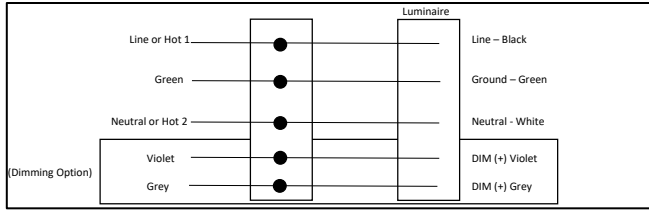


Figure 6

- E. Connect green supply wire with green lead of the luminaire.
- F. If the luminaire comes equipped with dimming options. Wire accordingly:
- Grip the positive or violet supply wire and connect with the violet dimming positive lead of the luminaire.
  - Grip the negative or grey supply wire and connect with the grey dimming negative lead of the luminaire.

**NOTE: If wiring a row mounted fixture, see row mounting section before proceeding to the next step. If a wire is connected incorrectly, it can be easily removed by firmly gripping the wire you want to remove and twisting the electrical disconnect.**

9. Neatly tuck in all the excess wire through the hole in access panel into the main channel housing. Reattach the access panel part back again, if was removed in Step 3.
10. Reinstall lens carefully by snapping the lens on top of the LED Mount.

**ROW MOUNTING:**

1. For connecting row mount fixtures, use the brackets shown in Figure 7 and Figure 8.

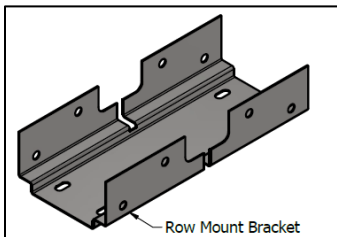


Figure 7

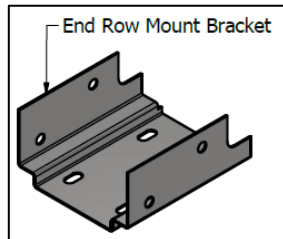


Figure 8

2. Mount the stabilizer brackets into the ceiling at appropriate distances. Now carefully remove the mating row mount luminaries (with connectors coming out from the end) from the box. Position it as shown in Figure 9.

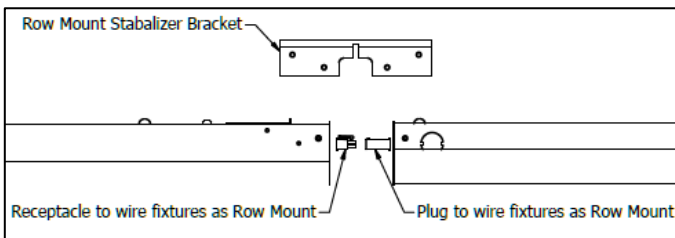


Figure 9

3. Connect the mating plug and receptacle to form a secure connection. Push the connected assembly into one of the body channels of the luminaries as shown in Figure 10.

4. Align and securely mount both the fixtures onto the stabilizer bracket to form a continuous row mount assembly.
5. Repeat steps 2-4 for installing more luminaries.
6. Reattach the lens if was previously removed. Finished fixture is shown in Figure 11.

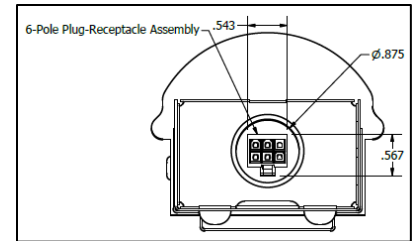


Figure 10

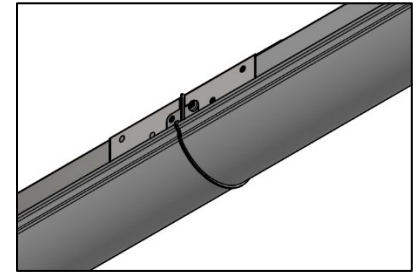


Figure 11